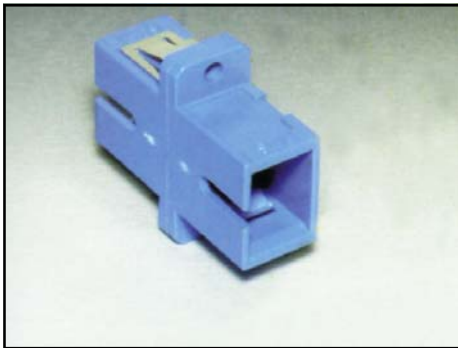


SC Simplex Adapter

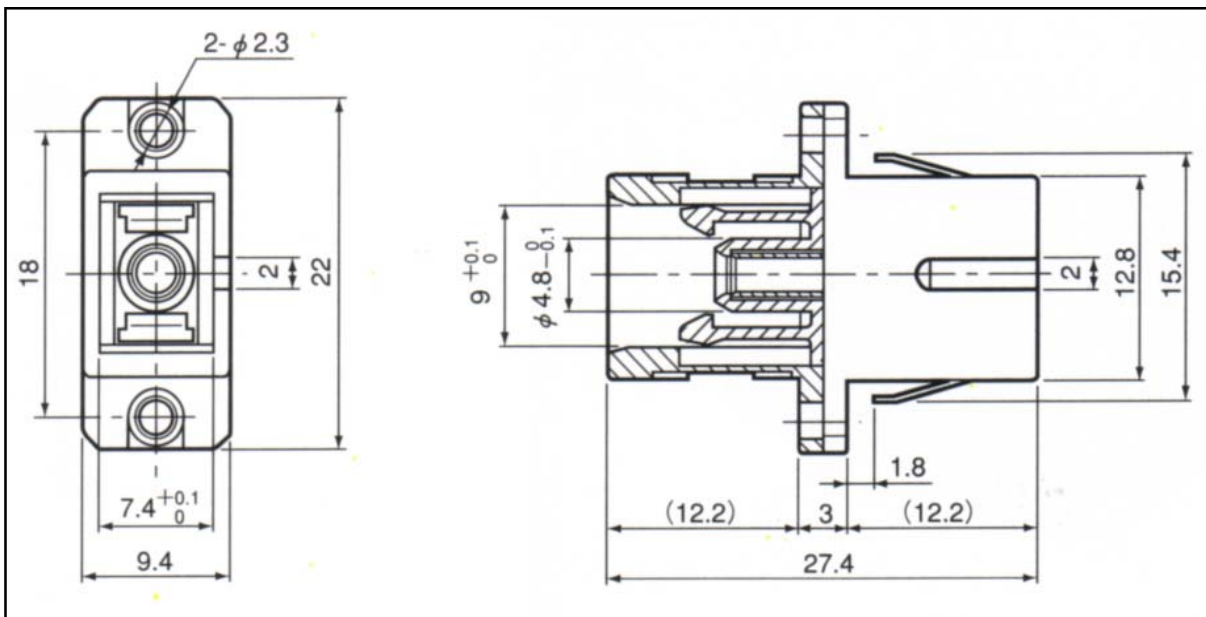
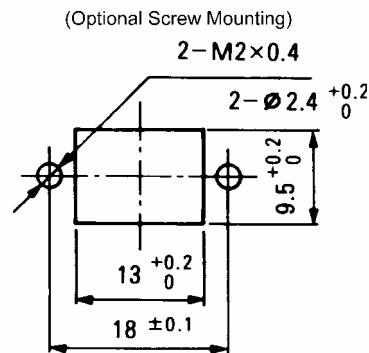
Features

- SC Adapter Meets Latest TIA / EIA 604-3, JIS C5973, and IEC Specifications
- Improved PPS Latch Design For Better Performance
- Includes Dustcaps
- Available With Phosphorous Bronze Sleeve For Singlemode Or Multimode Use or Zirconia Ceramic Sleeve For Singlemode Use
- Available With Plastic Or Metal Housing
-

SC Adapter with Standard Flange



SC Adapter Mounting

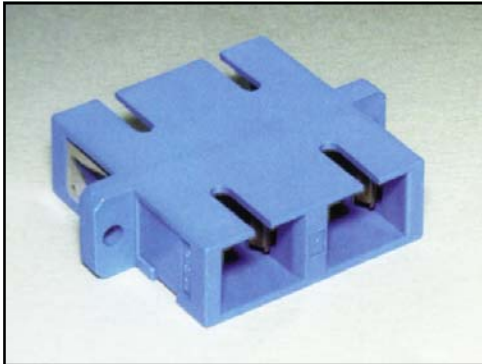


SC DUPLEX ADAPTER

Features

- SC Adapter Meets Latest TIA / EIA 604-3, JIS C5973, and IEC Specifications
- **Industry Standard 12.7 mm (0.5") Connector Spacing Works With Either Fixed Or Clip Joined Housings**
- Improved PPS Latch Design For Better Performance
- Includes Dustcaps
- Available With Phosphorous Bronze Sleeve For Singlemode Or Multimode Use or Zirconia Ceramic Sleeve For Singlemode Use
- Available With Plastic Or Metal Housing

SC Duplex Adapter with Standard Flange



SC Duplex Adapter Mounting

