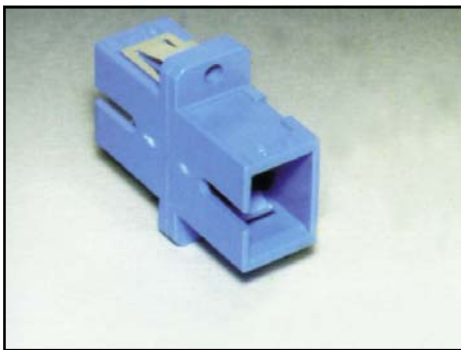


# FiberSource

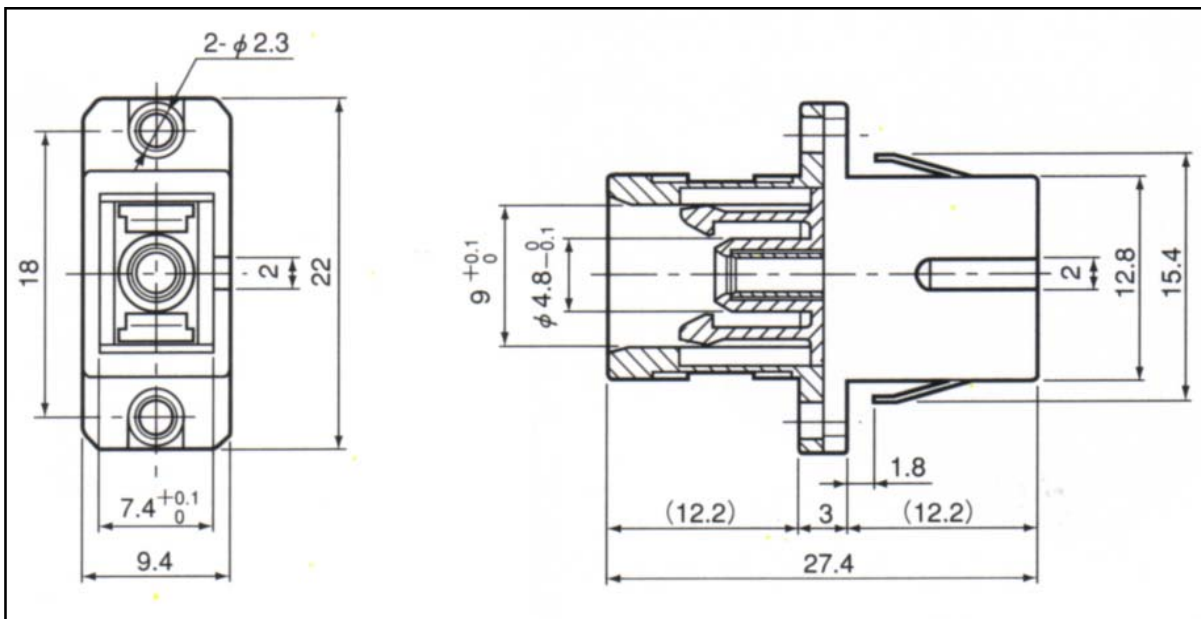
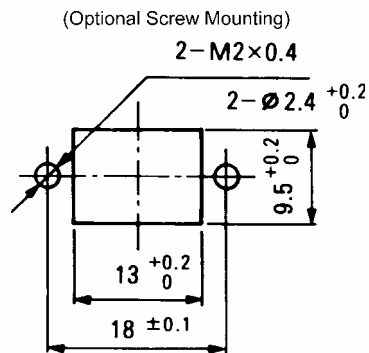
SC Simplex Adapter

- The SC Adapter Meets Latest TIA / EIA 604-3, JIS C5973, and IEC Specifications
- Improved PPS Latch Design For Better Performance
- Includes Dustcaps
- Available With Phosphorous Bronze Sleeve For Singlemode Or Multimode Use or Zirconia Ceramic Sleeve For Singlemode and APC Application
- Available With Plastic Or Metal Housing

## SC Adapter with Flange



## SC Adapter Mounting



## Ordering Information

### Singlemode

FS00019      SC Singlemode Simplex Adapter, PPS Latches, Zirconia Sleeve, Black Dust Caps.  
Telcordia GR-326 Certified by Intertek Labs

### Multi Mode

FS01141      SC Multi Mode Simplex Adapter, PBT Latches, Phosphorous Bronze Sleeve, Black Dust Caps.

### Angle Polish

FS00236      SC APC Adapter, PPS Latches, Zirconia Sleeve, Black Dust Caps

### For Additional Information

[www.Fibersourcemfg.com](http://www.Fibersourcemfg.com)

Americas ..... 888 342 3776

..... 864 277 7200

Fax ..... 864 277 7290