

FiberSource

Zircona Ceramic Ferrules

FiberSource's state of the art ferrules are manufactured using sophisticated clean room manufacturing and testing environments. It's our assurance our ferrules meet the industry's highest standards for precision, quality, durability and excellent cost/performance characteristics.

We have made an investment to assure you the fastest possible shipments and have standard products in stock for immediate delivery.

If precise tolerances, connection reliability, quality craftsmanship, fast delivery, and responsiveness with either standard or custom designs are important to you, please give us a call or email us, with your requests and we will promptly respond.

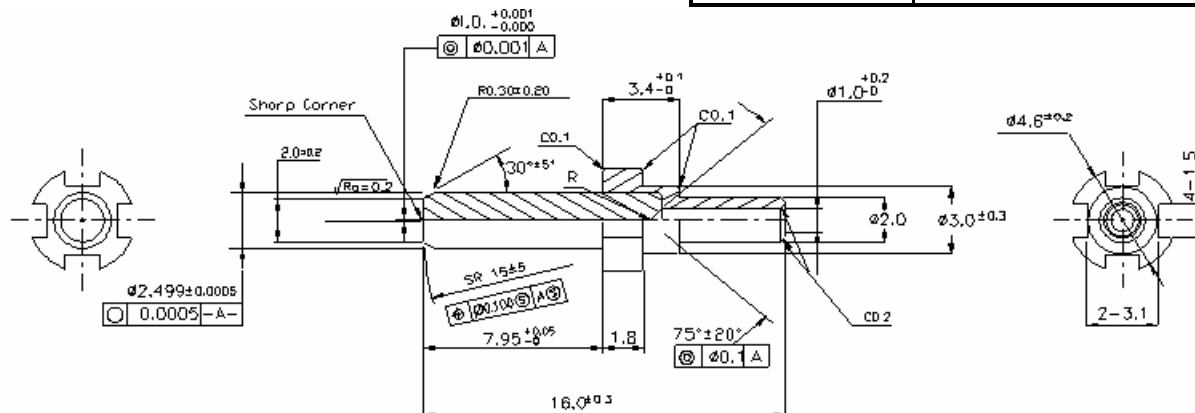
Ferrules, 2.5 mm with Flange for SC and FC Connectors

Specifications	Singlemode PC	Singlemode APC Not Preangled	Multi Mode PC
Outside Diameter & Tolerance	2.4990 ± 0.0005 mm	2.4990 ± 0.0005 mm	2.4990 ± 0.002 mm
Hole eccentricity	0.5 µm or less	0.5 µm or less	3.0 µm or less
Hole diameter tolerance	+1.0/- 0 µm	+1.0/- 0 µm	+6.0/- 0 µm
Ferrule Length	7.95 + 0.05/-0 mm	8.1 + 0.05/-0 mm	7.95 + 0.05/-0 mm

Zirconia Ferrule with SC/FC Flange (PC Singlemode)



Part Number	Ferrule Hole Size
FS00722-81	81.0 µm Special Order
FS00009-5	125.0 µm Special Order
FS00009-55	125.5 µm Standard
FS00009-6	126.0 µm Special Order



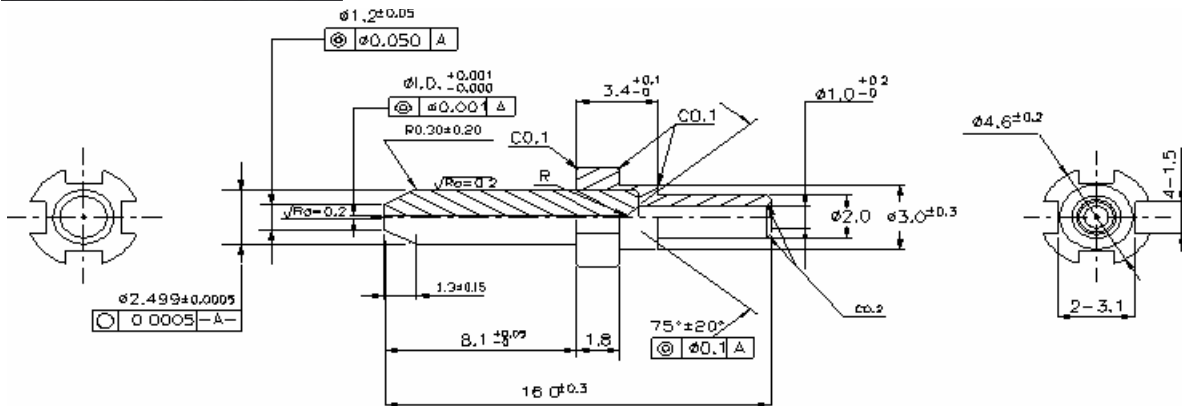
Zirconia Ferrule APC Singlemode (Cone Type)



FLAT END FACE FOR APC



Part Number	Ferrule Hole Size
FS00198-5	125.0 μm Special Order
FS00198-55	125.5 μm
FS00198-6	126.0 μm



Zirconia Ferrule APC Singlemode (Cone Type 8° Preangled)

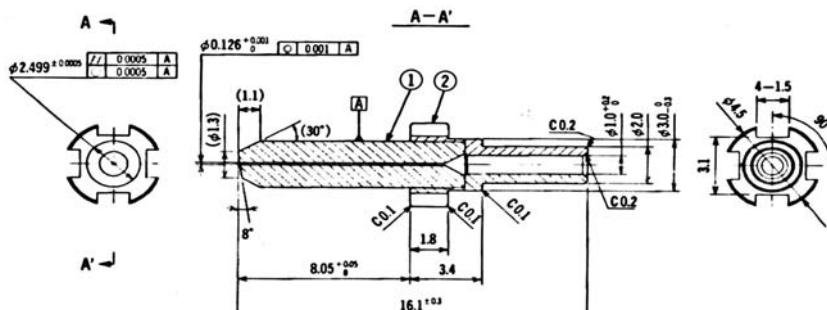
Specifications



8° ANGLED



Outside Diameter and Tolerance	2.4990 ± 0.0005 mm
Hole eccentricity	0.5 μm or less
Hole diameter tolerance	+1.0/- 0 μm
Ferrule Length	8.05 + 0.05/-0 mm
End Face Angle	8° ± 0.2°



Part Number	Ferrule Hole Size
FS00598-5	125.0 μm
FS00598-55	125.5 μm
FS00598-6	126.0 μm

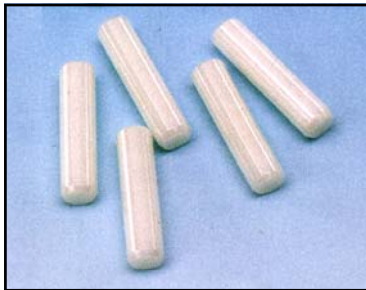
Ferrules, 2.5 mm without Flange

Specifications

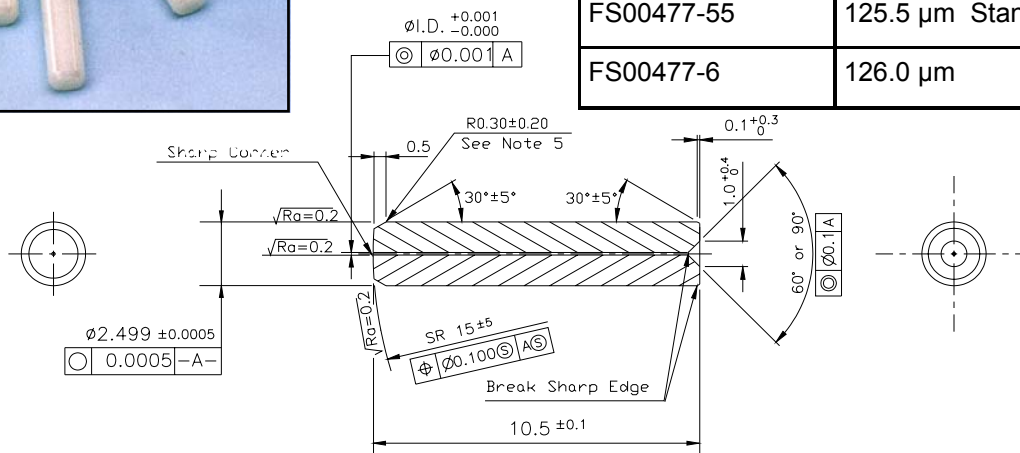
	Singlemode PC	Singlemode APC Not Preangled	Multi Mode PC
Outside Diameter & Tolerance	2.4990 ± 0.0005 mm	2.4990 ± 0.0005 mm	2.4990 ± 0.002 mm
Hole eccentricity	0.5 µm or less	0.5 µm or less	3.0 µm or less
Hole diameter tolerance	+1.0/- 0 µm	+1.0/- 0 µm	+6.0/- 0 µm
Ferrule Length	10.5 +/- 0.1 mm	10.5 +/- 0.1 mm	10.5 +/- 0.1 mm

Singlemode PC Ferrule (Pre-Radiused)

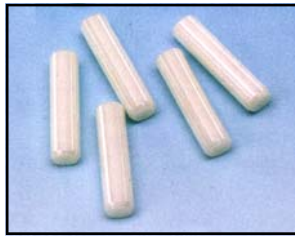
Length = 10.5 mm



Part Number	Ferrule Hole Size
FS00477-5	125.0 µm
FS00477-55	125.5 µm Standard
FS00477-6	126.0 µm



Multi Mode PC Ferrule (Pre-radiused)



Length = 10.5mm

Part Number	Ferrule Hole Size
FS00240-6	126.0 μm
FS00240	127.0 μm Standard

